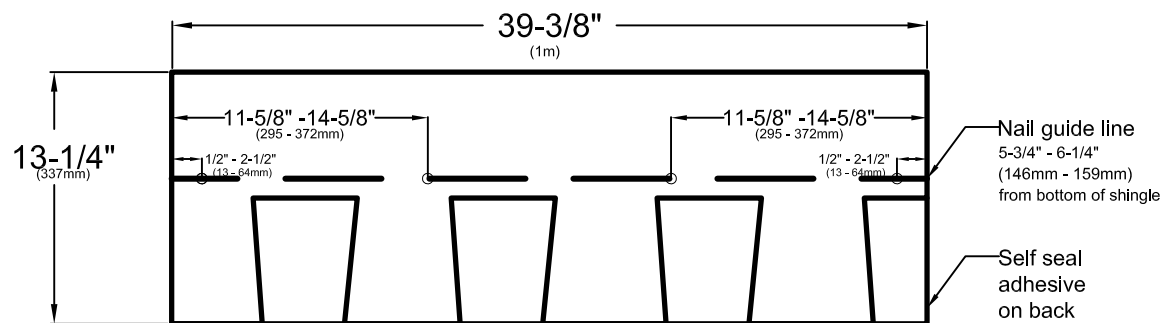
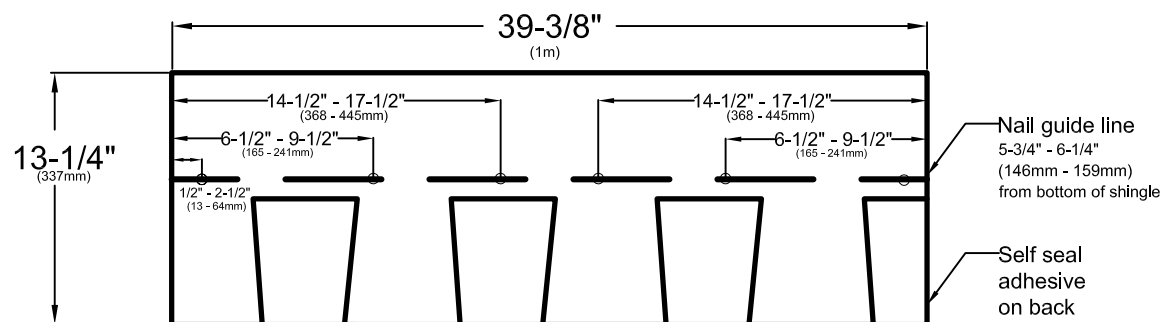


These shingles MUST be nailed a nominal 6" (152mm) from bottom of shingle, above the cut outs, as shown. Nails must not be exposed.



STANDARD NAILING PATTERN - four nails per shingle



ENHANCED NAILING PATTERN - six nails per shingle*

* required by some local codes and required for enhanced wind coverage on certain products. See limited warranty for details.



1 Campus Drive
Parsippany, NJ 07054
www.gaf.com

BRAND SERIES

**TIMBERLINE
SERIES**
Lifetime Shingles

REVISION DATE

9-01-14

SCALE

N.T.S

NAIL PLACEMENT DETAIL
Metric Size Shingles

DETAIL NUMBER

03

DETAIL REFERENCE

SS-TS